



UN FORKLIFT

FL SERIES LI-ION BATTERY COUNTERBALANCE FORKLIFT

Capacity 2.0 ton-3.5 ton

FL Series Lithium Battery Counterbalance Forklift has undergone a comprehensive redesign led by professional design company. This brand new design brings significant enhancements to both its appearance and performance.



ZHEJIANG UN FORKLIFT CO.,LTD.

ADDRESS: NO.1,ROAD ONE,XINDENG NEW DISTRICT,FUYANG,
HANGZHOU,ZHEJIANG 311404,CHINA

TEL: +86-571-8688 8355 (AMERICA)

+86-571-8886 9363 (EUROPE)

+86-571-8688 8377 (ASIA, AFRICA, OCEANIA)

E-MAIL: info@unforklift.com

PARTS INQUIRY: parts@unforklift.com

www.unforklift.com



CE CERTIFICATE



ISO14001 2004



ISO9001 2004

APPEARANCE ★

This series has smooth and streamlined body, giving a more powerful look. The sharp edges and contrast color design of the counterweight make it more attractive.

The electrical system utilizes dynamic LED taillights, imparting a futuristic and highly technological appeal to the vehicle, creating a strong visual impact.



HIGH PERFORMANCE ★★

High ground clearance meets the demands of outdoor working conditions with varying terrain, including uneven surfaces.



Turning deceleration as standard with rear wheel angle indication in display.



Adopting a load sensing steering system to further enhance operational efficiency.

Entire vehicle meets IPX4 waterproof:
IP65 Controller
IP67 Lithium Battery
Waterproof Connectors



Optional with a maximum 460AH large-capacity lithium battery, equipped with a 200A high-speed charger, meeting the demands of extended usage scenarios.



Compatible with domestic & imported controllers to meet diverse needs.

Enpower Controller with Permanent Magnet Motor

- Domestic leading brand, widely applied in electric passenger vehicles.
- Highly cost effective.
- Compact design and high power density, with 10-15% higher efficiency.
- Fast after service and cheap parts.
- Domestic production: short lead time.

ZAPI Controller with AC Induction Motor

- Original Italian import, long-standing market deployment.
- Mature technology, smooth operation, strong overload capability.
- Global support after-sales service network.
- Imported production.

SUPERIOR ★★★ ERGONOMICS

The entire forklift adopts ergonomic design, with larger operating space and more comfort.



Hanging foot brake achieve smooth braking and reduce vibrations.



Adopting a new type of ratchet handbrake, effectively reducing operating force.



Utilizing an optimized stamped overhead guard, providing improved visibility.



The wide-view mast provides better vision.



Standard-equipped with USB design for mobile devices.



Multifunctional color display instrument, ensuring a more user-friendly human-machine interaction.



EASY ★★★ MAINTENANCE



Increased hood opening angle provides a more spacious space for inspection and maintenance.

The detachable side panels make maintenance and cleaning more convenient.



SAFETY & ★★★ RELIABILITY

The casting steering axle with tapered roller bearing enhances durability and safety.



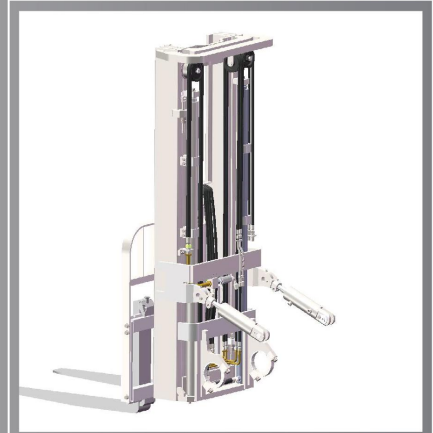
Standard-equipped with a bottom buffering function for fork descent, ensuring smooth lowering, reducing vibrations, and protecting the cargo.



The forklift has anti-sloping function.



Equipped with an anti-static strip as standard to eliminate static.



Utilizing the new narrow-groove steel mast to reduce the overall vehicle weight & enhance visibility.



The lithium battery meets the latest CE standards.

BMS PROVIDE PROTECTION OF

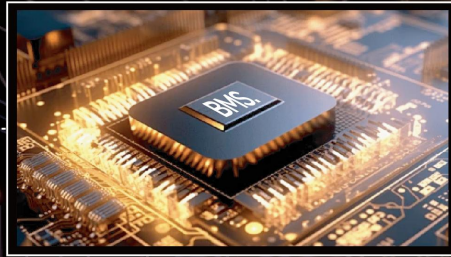
OVER CHARGE

OVER DISCHARGE

OVER HEAT

OVER CURRENT

SHORT CIRCUIT



TELEMATICS (OPTION)

VEHICLE MONITORING

TRACK PLAYBACK

DYNAMIC MONITORING

STATISTICAL REPORT



FAULT HANDLING

OPERATION MANAGEMENT

BASIC INFORMATION

SYSTEM MANAGEMENT

MAST SPECIFICATIONS & RATED CAPACITIES

Mast Type	Mast Name	Max. Fork Height (mm)	Load Capacity (kg)				Overall Height (mm)						Tilt Angle				
			2.0t	2.5t	3.0t	3.5t	Lowered		Extended		Free Lift (mm)						
							Without Backrest	With Backrest	Without Backrest	With Backrest	Without Backrest	With Backrest					
2-Stage Wide View Mast	M300	3000	2000	2500	3000	3500	2045	2060	3628	3641	4021	4060	120	125/130	120	125/130	6-12
	M330	3300	2000	2500	3000	3500	2195	2210	3928	3941	4321	4360	120	125/130	120	125/130	6-12
	M350	3500	2000	2500	3000	3500	2295	2310	4128	4141	4521	4560	120	125/130	120	125/130	6-12
	M370	3700	2000	2500	3000	3500	2395	2410	4328	4341	4721	4760	120	125/130	120	125/130	6-6
	M400	4000	1950	2450	2900	3400	2495	2510	4628	4641	5021	5060	120	125/130	120	125/130	6-6
	M450	4500	1900	2250	2650	3150	2845	2860	5128	5141	5521	5560	120	125/130	120	125/130	6-6
2-Stage Full Free Wide View Mast	M500	5000	1650	1950	2350	2550	3145	3160	5628	5641	6021	6060	120	125/130	120	125/130	6-6
	FM300	3000	2000	2500	3000	3500	2045	2060	3020	3025	4042	4202	1384	1380	978	838	6-12
	FM330	3300	2000	2500	3000	3500	2195	2210	3320	3325	4342	4502	1534	1530	1128	988	6-12
	FM350	3500	2000	2500	3000	3500	2295	2310	3520	3525	4542	4702	1634	1630	1228	1088	6-12
	FM370	3700	2000	2500	3000	3500	2395	2410	3720	3725	4742	4902	1734	1730	1328	1188	6-6
3-Stage Full Free Wide View Mast	FM400	4000	2000	2500	3000	3500	2595	2610	4020	4025	5042	5202	1934	1930	1528	1388	6-6
	TFM400	4000	2000 *2000	2500 *2500	2950 *3000	3450 *3500	1945	1960	4628	4641	5021	5060	1287	1280	841	860	6-6
	TFM430	4300	1900 *2000	2400 *2450	2900 *2950	3400 *3450	2045	2060	4928	4941	5321	5360	1387	1380	941	960	6-6
	TFM450	4500	1850 *2000	2300 *2400	2750 *2850	3250 *3300	2145	2160	5128	5141	5521	5560	1487	1480	1041	1060	6-6
	TFM480	4800	1750 *1950	2250 *2350	2700 *2750	3200 *3250	2245	2260	5428	5441	5821	5860	1587	1580	1141	1160	6-6
	TFM500	5000	1600 *1800	2050 *2300	2400 *2700	2500 *3050	2295	2310	5628	5641	6021	6060	1637	1630	1191	1210	6-6
	TFM550	5500	1250 *1700	1550 *2200	1600 *2600	1800 *2950	2495	2510	6128	6141	6521	6560	1837	1830	1391	1410	3-6
TFM600	6000	1000 *1600	1200 *2150	1300 *2550	1400 *2800	2695	2710	6628	6641	7021	7060	2037	2030	1591	1610	3-6	

With side shifter, load capacity subtract 200kg.
*(Asterisk)is for double front wheels model.

MAIN SPECIFICATIONS

General	Item No.	Description	un				
			FB20	FB25	FB30	FB35	
Characteristic & Dimension	1	Manufacturer					
	2	Model					
	3	Power Type	Lithium Battery				
	4	Rated Load Capacity	Q(kg)	2000	2500	3000	3500
	5	Load Centre	C(mm)	500	500	500	500
	6	Rated Lift Height	H3(mm)	3000	3000	3000	3000
	7	Free Lift Height	H2(mm)	120	120	125	125
	8	Fork Size (L×W×T)	mm	1070×100×40	1070×122×40	1070×125×45	1070×122×50
	9	Mast Tilt Angle (F/R, α°/β°)	deg	6°/12°	6°/12°	6°/12°	6°/12°
	10	Fork Overhang (Wheel Center to Fork Face)	X1(mm)	462	462	467	472
	11	Rear Overhang	X2(mm)	550	550	530	600
	12	Ground Clearance (Bottom of Mast)	H7(mm)	110	110	125	125
	13	Length to Face of Fork (Without Fork)	L1(mm)	2662	2662	2700	2770
	14	Overall Width	B1(mm)	1180	1180	1220	1220
	15	Mast Lowered Height	H1(mm)	2100	2100	2115	2115
	16	Mast Extended Height (With Backrest)	H4(mm)	4198	4198	4150	4150
	17	Overhead Guard Height	H5(mm)	2215	2215	2190	2208
	18	Turning Radius (Outside)	Wa(mm)	2365	2365	2450	2500
	19	Min.Aisle width for pallets	Ast(mm)	4120	4120	4120	4170
Performance	20	Travel Speed (No Load)	km/h	11/12 14/15	11/12 14/15	11/12 14/15	11/12 14/15
	21	Lifting Speed (Full Load)	mm/sec	250/360 290/400	250/360 290/400	250/360 290/400	250/360 290/400
	22	Lowering Speed(Full Load/No Load)	mm/sec	≤600/≥300	≤600/≥300	≤600/≥300	≤600/≥300
	23	Max.Gradeability (Full Load)	%	15	15	15	15
Chassis	24	Tyre (Front x 2)	mm	7.00-12-12PR	7.00-12-12PR	28×9-15-14PR	28×9-15-14PR
	25	Tyre (Rear x 2)	mm	6.00-9-10PR	6.00-9-10PR	6.50-10-10PR	6.50-10-10PR
	26	Front Tread	B2(mm)	970	970	1000	1000
	27	Rear Tread	B3(mm)	980	980	980	980
Weight	28	Wheelbase	Y(mm)	1650	1650	1700	1700
	29	Total Weight	kg	3472	3703	4207	4570
	30	Front Axle Weight Distribution (Full Load)	kg	4650	5413	6396	7145
	31	Rear Axle Weight Distribution (Full Load)	kg	822	790	811	925
	32	Front Axle Weight Distribution (No Load)	kg	1483	1456	1689	1652
	33	Rear Axle Weight Distribution (No Load)	kg	1989	2247	2518	2918
Power & Transmission	34	Battery	V/Ah	76.8V/175AH	76.8V/175AH	76.8V/230AH	76.8V/280AH
	35	Drive Motor	KW	10/14	10/14	10/14	10/14
	36	Lift Motor	KW	12/18	12/18	12/18	12/18
	37	Operating Pressure (For Attachments)	Mpa	20.5	20.5	20.5	20.5

